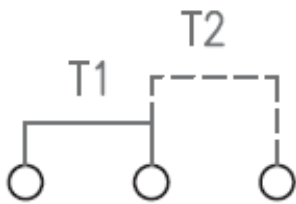
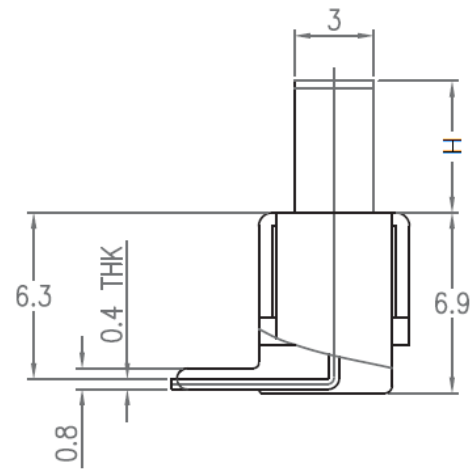
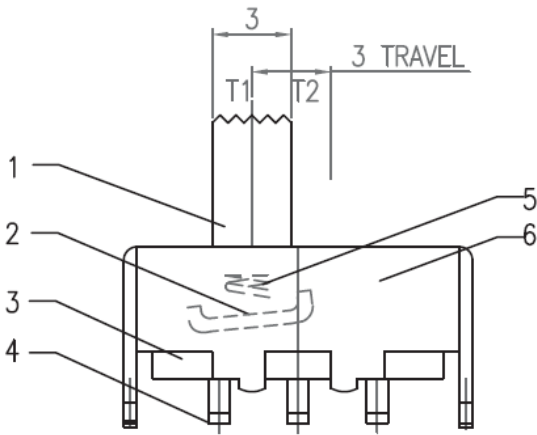


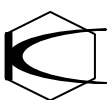
P.C.B LAYOUT



CIRCUIT

H=2~10mm

6	FRAME	SPCC	1	Ni PLATED
5	SPRING	STAINLESS STEEL	1	NATURAL
4	TERMINAL	C2680	3	Ag PLATED
3	BASE	PHENOLIC RESIN	1	NATURAL
2	CONTACT PLATE	C2680	1	Ag PLATED
1	KNOB	PA66	1	BLACK
NO	PART NAME	MATERIAL	Q'TY	FINISHING



銓基電子股份有限公司  
ROKI ELECTRONICS CO., LTD.

PART NAME : SLIDE SWITCH

PART NO : ST12011-PF Series

TOLERANCE :  $\pm 0.3$  mm



SCALE :

UNIT : mm

VER : R04